

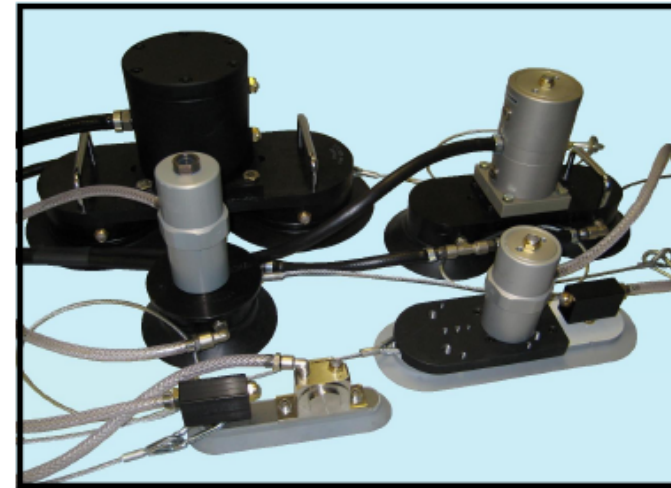
### Spare Parts

Ref. No.	Qty.	Description	Part Number						
			VTC 10S	VTC 12S	VTC 15S	VTC 15D	VTC 20S	VTC 20D	VTC 20T
1	1-3	Base Plate	54015	54058	54049	54049	54050	54050	54050
2	1-3	Vacuum Cup	N/A	N/A	46362	46362	46363	46363	46363
3	1	Vacuum Generator	54055	54055	N/A	N/A	N/A	N/A	N/A
	1-3	Venturi Complete	N/A	N/A	54052	54052	54052	54052	54052
4	1-3	Steel Wool Silencer	54054	54054	46076	46076	46076	46076	46076
5	1	Shackle Assembly*	54051	54051	54051	54051	54051	54051	54051

\* VTC 10S has an extra 6mm carbine hook (part no. 45314).

Findeva AG  
Loostrasse 2  
CH – 8461 Oerlingen

Phone: +41 52 305 4757  
Fax: +41 52 319 2877  
Web: [www.findeva.com](http://www.findeva.com)  
E-Mail: [info@findeva.com](mailto:info@findeva.com)



VTC  
VACUUM  
CLAMPS

OPERATING  
MANUAL

### COMPATIBILITY

MODEL	COMPATIBLE UNITS	Min Diameter mm	Air Consump. CFM (litr)	Weight (Kgs)
VTC 10S	DAR2, K8-10, GT4-10, FP12-18, R50, T50, VTL155-165, FAL 18	110	2.79 (79)	1.5
VTC 12S	DAR2 / DAR4, K8-25, FP25-35, R50-80, GT08-25, T50-80, V150	350	2.79 (79)	3.0
VTC 15S	DAR2-3, K8-16, GT10-16, FP12-35, R50-65, T50-65, VTL155-255, FAL18-25	760	2.79 (79)	2.5
VTC 15D	DAR4, GT20-30, K20-36, R80, T80, FP25-FP35, FAL25-35, FP50M, VFP75/01, VFP50/01	760	5.58 (158)	4.5
VTC 20S	K20-25, GT20-25, FP50M-60M, FAL35, R80, T80, VFP54/02	860	2.79 (79)	4.0
VTC 20D	DAR5, GT30-36, R100, T100HP, FP60M, FP95M	860	5.58 (158)	8.5
VTC 20T	VFP50/10	4600	8.37 (237)	18.0

### IMPORTANT NOTICE

**Vibrators and vibrating equipment can be dangerous if not used correctly.**

1. **DO NOT** hold or touch when running.
2. **DO NOT** stand or sit on vibratory equipment when running.
3. **USE ONLY** for the purpose intended.
4. **USE ONLY** when vibrators are securely mounted.
5. **USE ONLY** when pneumatic hoses and fittings are securely tightened.
6. **ALWAYS** wear ear protectors.



# OPERATING AND MAINTENANCE INSTRUCTIONS

The VTC range operate on compressed air from 3.5 up to 6.0 bar max. Lubricated air does not need to be used when vibrator requires no lubrication i.e. GT, FPLF.  
The working temperature should be in range -10°C to +70°C.

## Installation

The VIBTEC Vacuum Clamps come with fitted hose sets and pre-drilled for all the appropriate vibrators stated in this leaflet. Vacuum caps hold best on flat surfaces, but can be applied to almost any radiused surfaces indicated in the table on the front page of this leaflet. Surfaces must be fairly smooth (no dents), dry and clean.

1. Hold unit against surface and switch on vacuum control valve.
2. Connect safety cable vertically above the unit and adjust, then switch on the vibrator.
3. If the supplied air fails releasing the vacuum clamp, it should not be able to swing dangerously to cause damage or injury.
4. When not in use, wipe/ clean vacuum cups and protect from damage.

## Maintenance

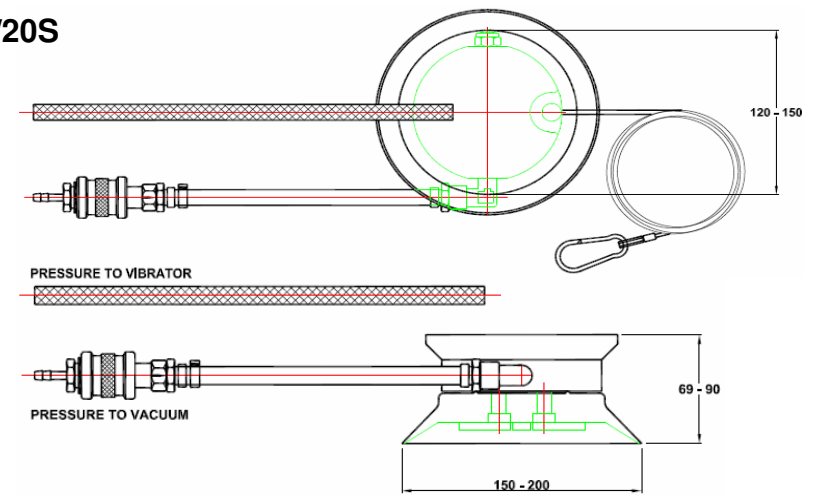
Generally little maintenance is required if good quality filtered air is used.

1. To remove the vacuum generator/ venturi for cleaning, unscrew air fitting and silencer, then lightly tap to remove spacer and generator/ venturi. If these do not readily drop out, push out with wooden stick.
2. Make sure the silencer is cleaned and re-fitted in the same port.

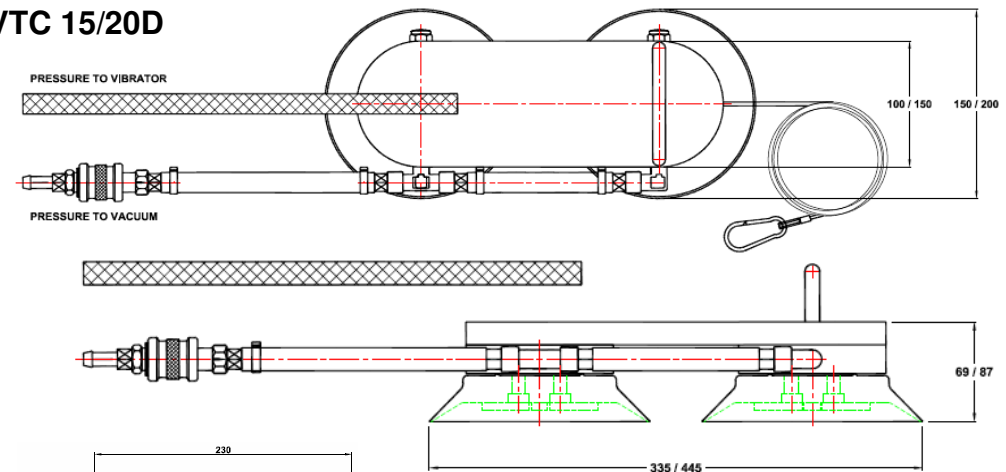
## ATTENTION

- Always ensure compressed air is off during installation or maintenance.
- Always ensure only filtered air is used and the filter cleaned regularly.
- Always use suitable bolts, locking washers or Loctite for mounting vibrators.
- Always maintain a regular check on the tightness of the fixing bolts and hose connections.
- Always ensure vacuum exhausts to each cup are regularly inspected and cleaned.
- Always ensure lubrication (when required) is adequate. Use lubricator accordingly to vibratory unit fitted.
- Always ensure safety cables are fitted and adjusted on the VTC range.

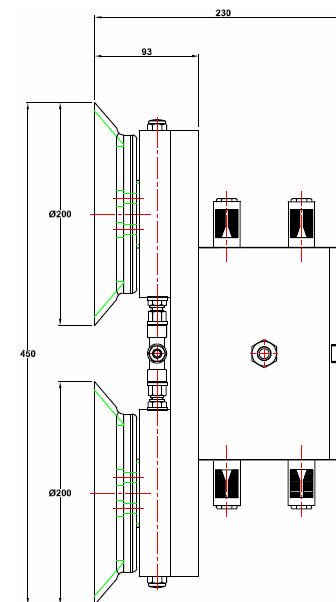
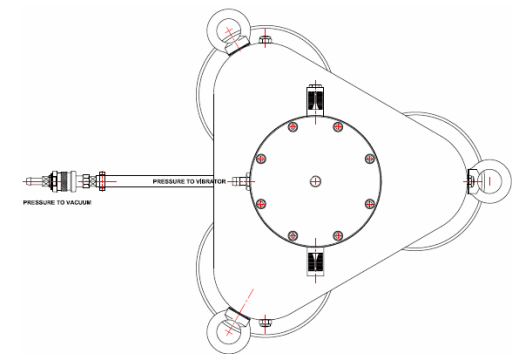
## VTC 15/20S



## VTC 15/20D



## VTC 20T



## VTC 10/12S

