



This catalogue intends to give a short but complete overview of TUMAC products.

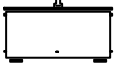






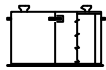









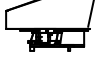
The dimensions tables that you will find in next pages refer to standard products.

In alternative, TUMAC, thanks to a several years experience within this sector and the technical knowledge of its team gives the opportunity to customize its own products.

According to specific client requirements, we realize complete turnkey feeding systems and units which are flexible and reliable.

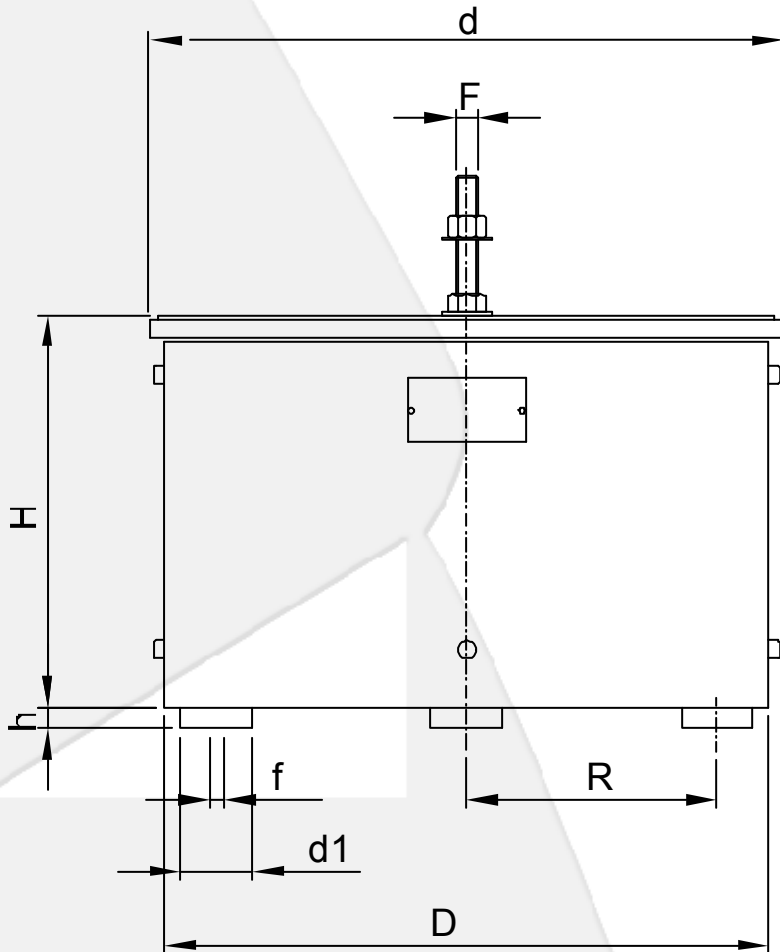
We are sure that you will find with TUMAC the solution to all your applications. So TUMAC is the ideal partner for your company.



3		Vibrating bases
4		Cylindrical bowl feeders
5		Scroll bowl feeders
6		Cone-shaped bowl feeders
7		Synthetic fibre cone-shaped bowl feeders
8		Unidirectional linear feeders
9		Unidirectional linear feeders
10		Sound-proofing hoods
11		Convoyor belt
12		Auxiliary loaders
13		Auxiliary loaders
14		Elevators
15		Elevators
16		Plate-type elevators
17		Mechanical rotary feeders
18		Column support
19		Control boxes
20		Auxiliary loaders TRV.

Vibrating bases

Authorisation N.94.2 00137.03 E 04
 issued by CH FEDERAL POWERLINE
 INSPECTORED

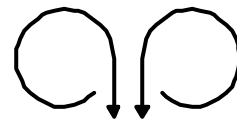


Power supply: 230 V - 50 Hz.

Other voltage and/or frequency value available on request.

Degree of protection IP 54. IP 65 available on request.

SCHIFT DIRECTION



CLOCK WISE ANTICLOCK WISE

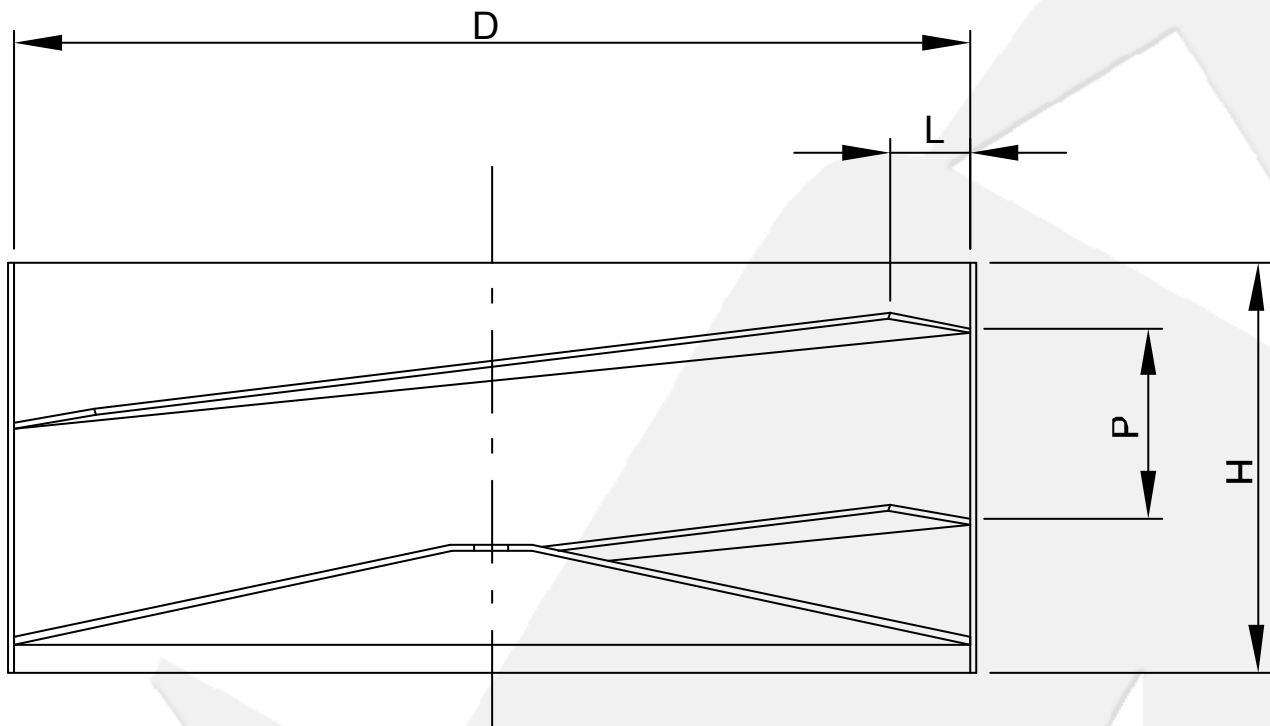
TYPE	Freq.	D	d	H	h	H + h	R	d1	f	Nb. of feet	F	Nb. of magnet	air gap	A. max	Weight Kg.	Controler type
CHTB 10	6000	98	100	51	8	59	35	15	M4	4	M5	1	Vert.	0,1	1,5	EL 7
CHTB 15		151	147	138	9	147	55	25	M6		M8			0,3	9	
CHTB 20		205	197	175		184	73,5				1			18		
CHTB 25	6000/ 3000	255	232	194	10	204	92,5	30	M8	3	M10		1,5	26		
CHTB 30		305	273			112,5	36									
CHTB 35		355	338	219	12	231	140	40		4	M12	2	Orizz.	2	55	
CHTB 40		405	388	222		234	163					3		70		
CHTB 50	507	463	224	25	249	175	70	M10	8	Lateral fixing	2	Vert.	2	130		
CHTB 601	507/607	499	266	18	284	220					4	Orizz.	3,5	195		
CHTB 60	607	599	237	45	282	257					6	5	350	EL 10		
TB10		750	704	300	45	345	281,5									

The overall dimensions specified above are not binding on the manufacturer. TUMAC reserves the right to modify them without notice.

cylindrical bowl feeders

Normal or stainless steel versions.

Inside coating on request.



Type	D	H	L	P	Base
1003	100	35	7	16	CHTB10
1502	150	60	12	20	CHTB 15
2001	200	80	18	25	CHTB 20
2002				30	
2503	250	80	20	30	CHTB 25
2504				35	
2505				25	
3009	300	120	20	35	CHTB 30
3010			25		
3506	350	150	30	50	CHTB 35
4003	400	150	35	60	CHTB 40
4010		200	40		
5016	500	200	35	60	CHTB 50
5017			40		
6002	600	250	40	80	CHTB 601

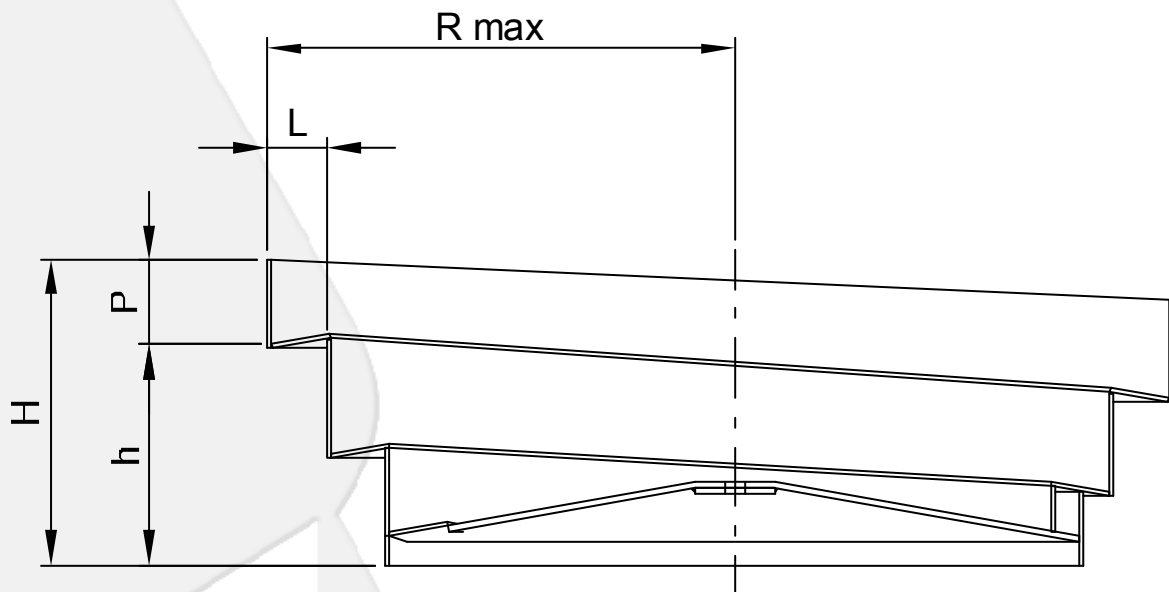
The internal spirals of the bowl are with progressive pitch; nevertheless the mentioned pitch must be considered as "nominal".

The overall dimensions specified above are not binding on the manufacturer. TUMAC reserves the right to modify them without notice.

Scroll bowl feeders

Normal or stainless steel versions.

Inside coating on request.



Type		R. max	L	Pitch		H	h	Base
				1 st turn	2 nd turn			
205	A	130	15	25	35	97	72	CHTB 20
	B	140	20					
255	A	165	20	25	40	117	77	CHTB 25
	B	175	25					
305	A	190	20	30	45	122	87	CHTB 30
	B	200	25					
355	A	235	30	45	60	162	117	CHTB 35
	B	245	35					
405	A	270	35	50	70	182	132	CHTB 40
	B	280	40					
	C	290	45					
505	A	330	40	60	80	212	152	CHTB50
	B	340	45					
	C	350	50					
755	A	350	60	70	90	242	172	CHTB 601
	B	370	70					
905	A	460	70	80	100	285	205	CHTB 60
	B	480	90					
1005	A	615	80	120		340	220	TB 10
	B	645	90			360	240	

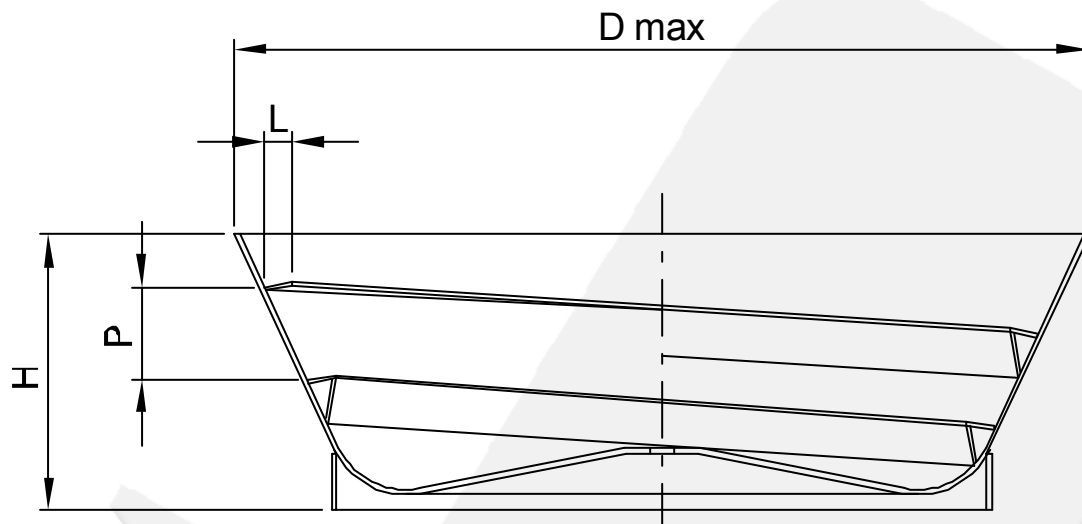
The overall dimensions specified above are not binding on the manufacturer. TUMAC reserves the right to modify them without notice.

cone-shaped bowl feeders

Normal or stainless steel versions.

Inside coating on request.

We can supply cone-shaped bowl feeders differing from the standard versions to meet specific customer requirement.



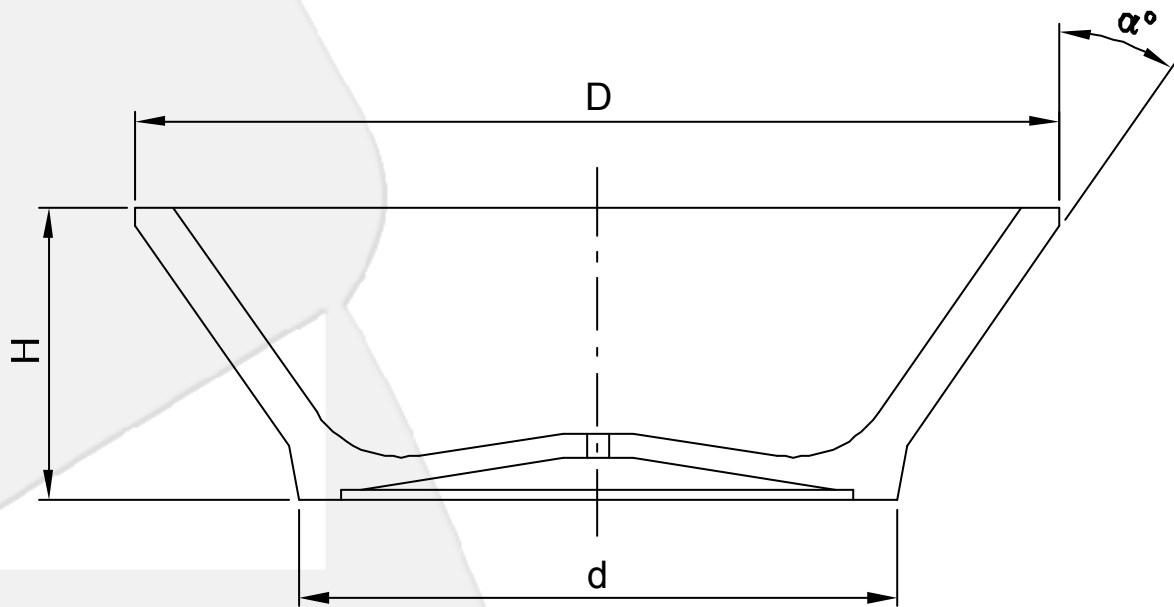
Type	Ø max	H	h	L	P	Base
2561	320	115/130	95/110	12	50	CHTB 25
3061	370	120	100	15	40/50	CHTB 30
3072						
3561	450	145	120	12	60/75	CHTB 35
3562				15		
4061	550	180	150	20	60/75	CHTB 40
4062				15		
6061	730	180	140	20	110/130	CHTB 50
6062				25		
6063				20		
8061	850	245	205	20	110/130	CHTB 601
8062	950	305	265	25		
9061	1000	390	345	20	130/150	CHTB 60
9062				25		
10061	1250	450	350	30	130/150	TB 10

The internal spirals of the bowl are with progressive pitch

The overall dimensions specified above are not binding on the manufacturer. TUMAC reserves the right to modify them without notice.

synthetic fibre cone-shaped bowl feeders

The pitch, number of starts, the shape of helicoidal tracks, are re-designed for each project, to meet specific customer requirements.



Type	D	H	d	α	Base
1071	135	52	102	30°	CHTB 10
1571	240	98	150	30°	CHTB 15
2071	282	96	192		CHTB 20
2571	322	106	220		CHTB 25
3071	364	127	255		CHTB 30
3571	533	169	345	35°	CHTB 35 CHTB 40

The internal spirals of the bowl are with progressive pitch.

The overall dimensions specified above are not binding on the manufacturer. TUMAC reserves the right to modify them without notice.

linear unidirectional feeders

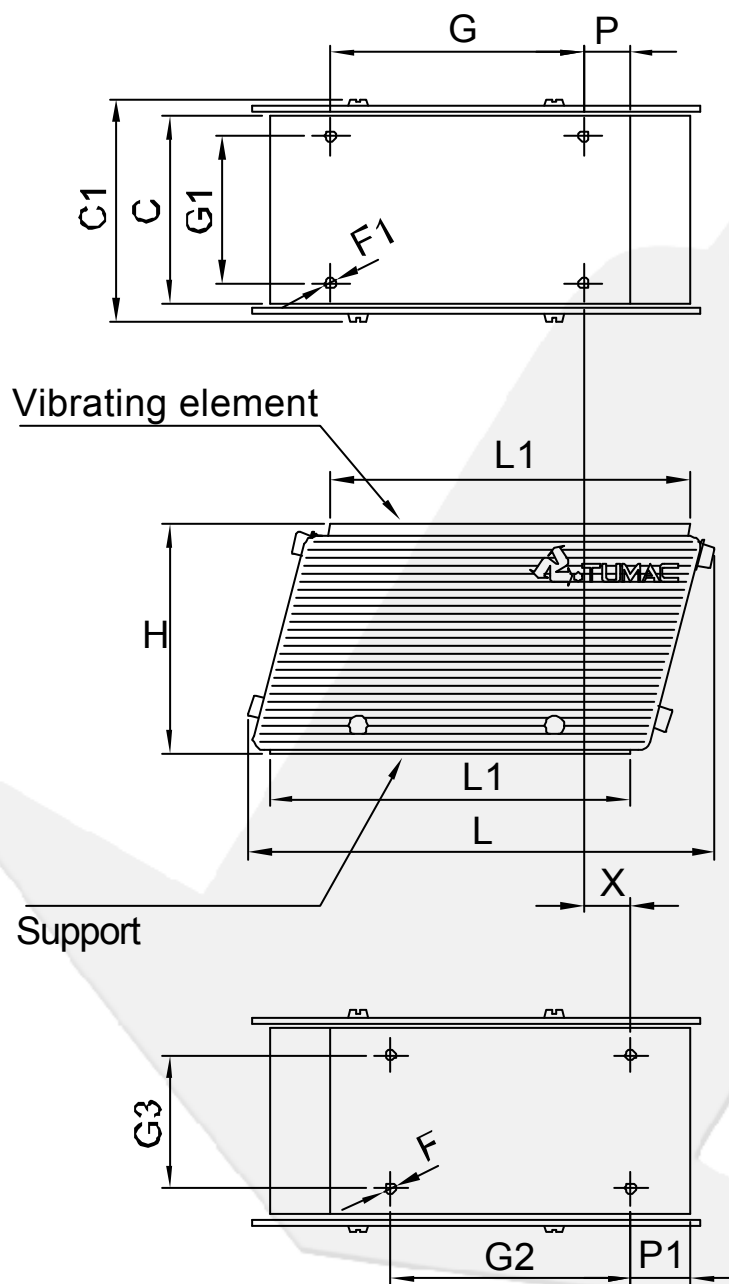
Authorisation N.94.2 00137.03 E 04
issued by CH FEDERAL POWERLINE
INSPECTORED



Power supply: 230 V - 50 Hz.

Other voltage and/or frequency value available on request.

Degree of protection IP 54. IP 65 available on request.



Type	C	C1	H	L	L1	G	G1	G2	G3	P	P1	F	F1	x	control. type	Wgh. Kg.	Max. electrical input A	fixing for frame
CHTR 40	40	53	54	100	76	50	30	50	30	11,5	14,5	M4	M4	8,5	EL7	0,8	0,1	no
CHTR 50	50	65	73	128	98	60	35	60	35	18	20			13		1,7	0,15	no
CHTR 70	70	85	85	175	135	95	55	90	50	17	22,5	M5	M6	17,5		3,5	1	no
CHTR 85	85	107,8	112,5	237,2	183,6	140	60	125	60	18,5	24	M6	M6	26		7,8	1	SI
CHTR 100	100	100	120,5	250	184	140	68	125	80	25	18,5	M8	M8	33,8		11,5	1,5	SI

The overall dimensions specified above are not binding on the manufacturer. TUMAC reserves the right to modify them without notice.

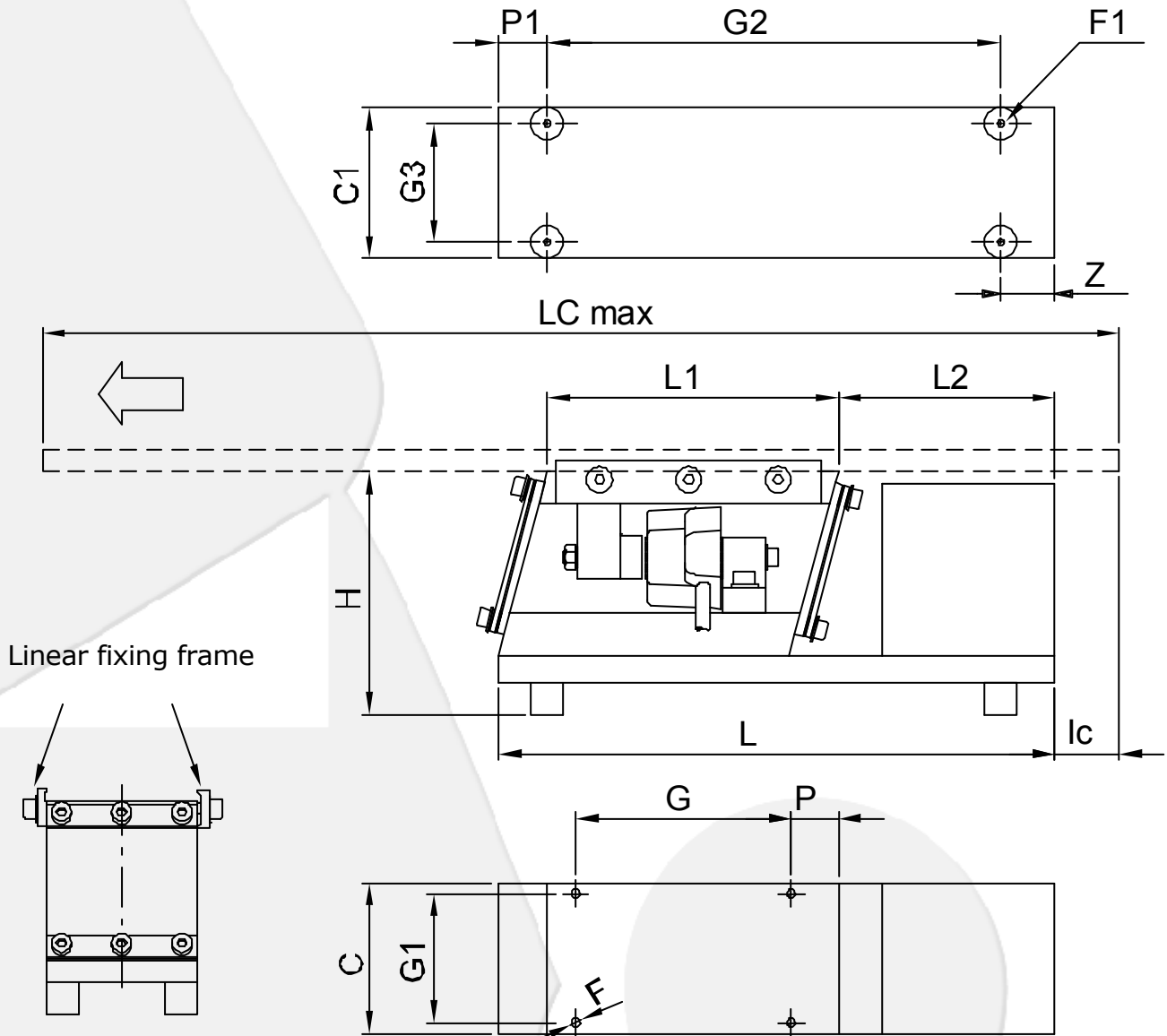
balanced linear unidirectional feeders

Power supply: 230 V - 50 Hz.

Other voltage and/or frequency value available on request.

Degree of protection IP 54. IP 65 available on request.

Authorisation N.94.2 00137.03 E 04
issued by CH FEDERAL POWERLINE
INSPECTORED



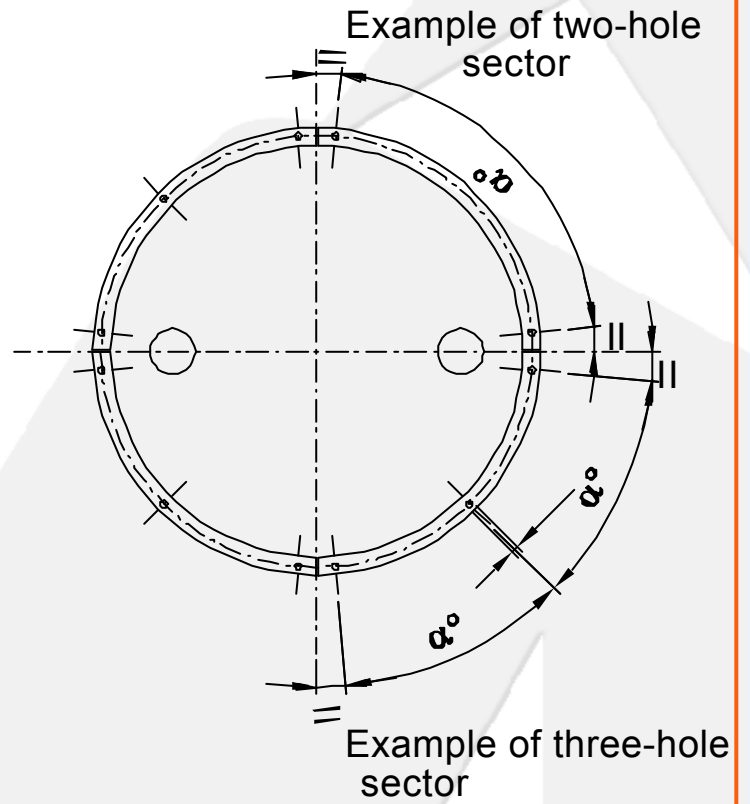
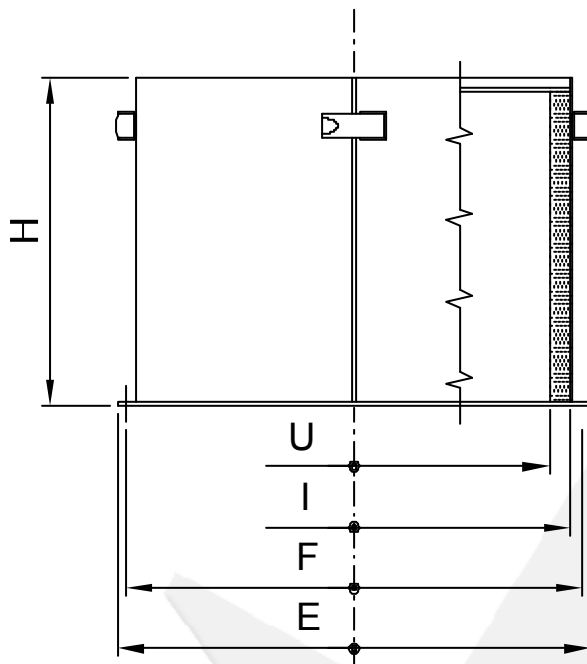
Type	C	C1	H	L	L1	L2	LC max	lc	G	G1	G2	G3	P	P1	F	F1	Z	Control. Type	Wght. Kg.	Max. electrical input A
CHTR 50/S	50	50	85	210	96,5	88	500	10/20	60	35	170	35	17	20	M4	M4	19,5	EL 7	3,8	0,1
CHTR 75/S	70	70	113	266	135	108	700	10/80	100	60	210,5	55	22	22,5	M5	M5	33		7,2	0,2
CHTR 85/S	80	80	145	405	184	193	1000	60/150	125	80	277	60	25	13	M6	M8	115		24	1
CHTR 100/S	100	100	165			189				80	327	75			M8	M8	65		33	1,5

LC MAX } Recommended dimensions. Nonetheless, they can be adjusted according to the weight and rigidity of the frame, and of the characteristics of the parts to be distributed
lc }

The overall dimensions specified above are not binding on the manufacturer. TUMAC reserves the right to modify them without notice.

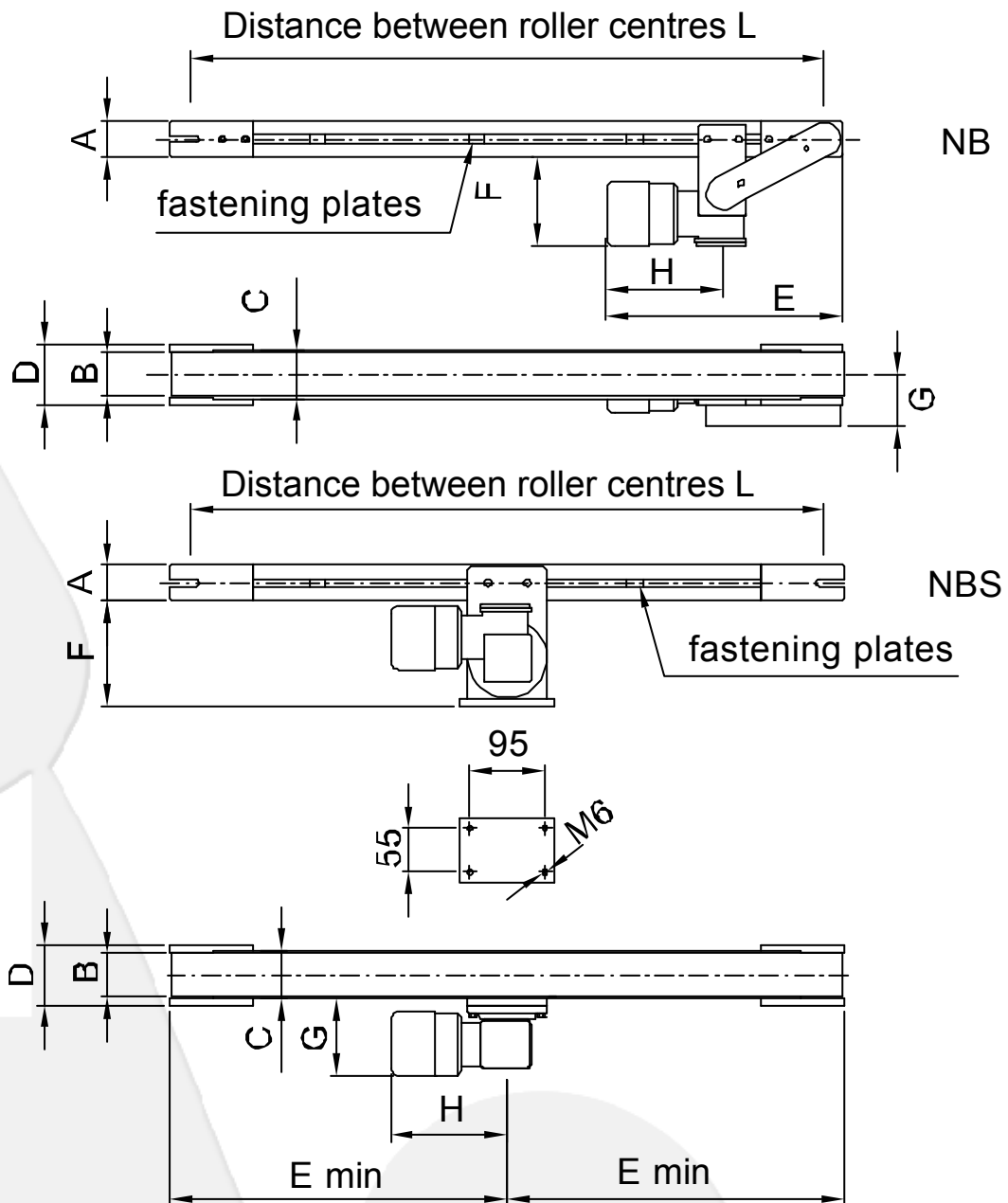
sound-proofing hoods

- Full cover with porthole
- Two-lid hinged cover
- Lexan transparent cover
- Other size available cover



ϕE	ϕF	ϕI	ϕU	Sectors	N° of holes	f	α
435	420	400	360	4	2	$\phi 6,5$	70°
485	470	450	410				
535	520	500	460				
585	570	550	510				
635	620	600	560				
685	670	650	610				
735	720	700	660		3		40°
785	770	750	710				
835	820	800	760				
885	870	850	810				
935	920	900	860				
985	970	950	910				
1035	1020	1000	960	6	50°		
1135	1120	1100	1060				
1235	1220	1200	1160				
1335	1320	1300	1260				
1435	1420	1400	1360				

The overall dimensions specified above are not binding on the manufacturer. TUMAC reserves the right to modify them without notice.



Type	A	B belt width	C	D	E	F	G	H	KW
NB 45	45	40	45	61	313	113	58,5	163	0,014
NB 60		55	60	76			66		
NB 90	60	85	90	116	400	141	86	218	0,09
NB150	50	145	150	176	395	146	116		
NBV	60	195-495	200-500	226-526	497,5	196	141	255	0,18
NBS 20	20	15	17	20	275	210	69	153,5	0,02
NBS 45	45	40	45	61	155	133,5	98	163	0,014
NBS 60		55	60	76					
NBS 90	60	85	90	116	170	118,5	114	218	0,09
NBS 150	50	145	150	176					

STANDARD LENGHT VAN L: 500 - 2000

The overall dimensions specified above are not binding on the manufacturer. TUMAC reserves the right to modify them without notice.

auxiliary loader

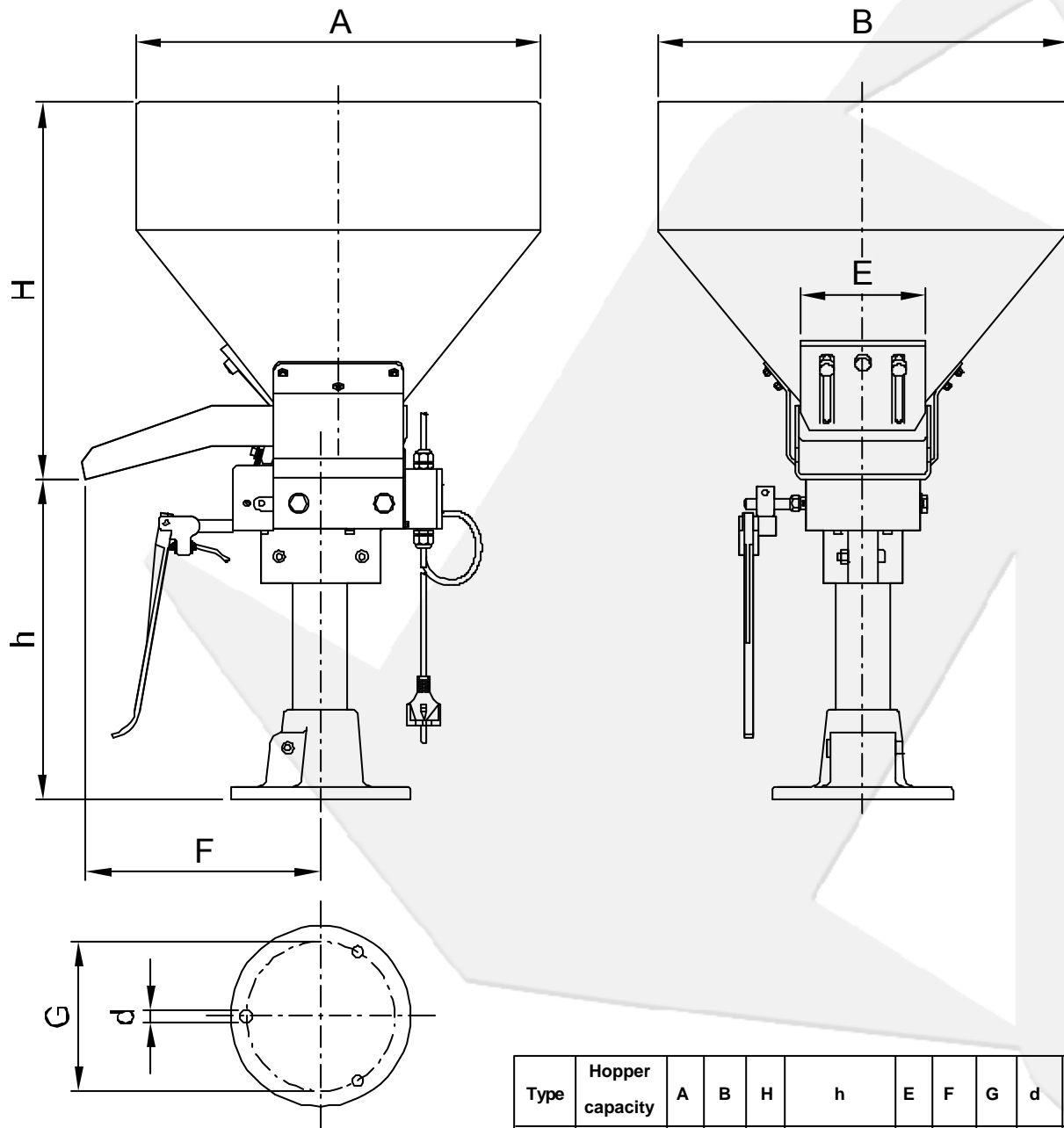
Complete with level feelers.

Normal or stainless steel versions available.

Power supply: 230 V - 50 Hz.

Other voltage and/or frequency value available on request.

Degree of protection IP 54. IP 65 available on request.



Type	Hopper capacity	A	B	H	h	E	F	G	d	Absorb. max A
TR 10	10 dm ³	250	250	280	according to the automatic distributor to be fed	45	160	120	8,5	0,08
TR 25	25 dm ³	400	400	360		140	285	165	13	0,2
TR 50	50 dm ³	450	450	410						
TR 100	100 dm ³	590	590	575						
TR 200	200 dm ³	750	750	705		170	330	225	8	

The overall dimensions specified above are not binding on the manufacturer. TUMAC reserves the right to modify them without notice.

motor-driven auxiliary loader

- With wearproof belts
- With non toxic belt for food and pharmaceutical products

Building materials

- Painted steel
- Stainless steel

Drive :

- Direct-coupling motor reduction gear.

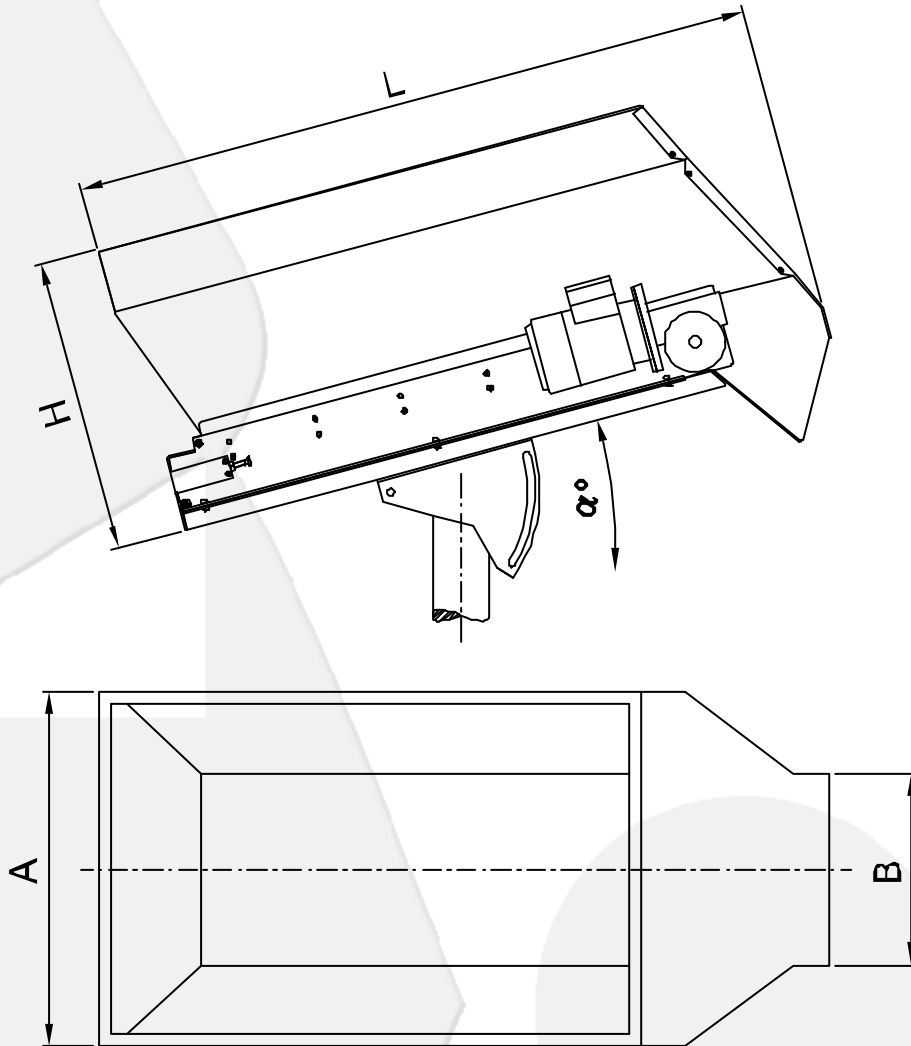
Power supply:

230-380 V three-phase - 50-60 Hz.

On demand :

- Other voltage and/or frequency.
- With cover

h = according to the automatic distributors to be fed.



Capacity	A	H	L	Power Kw	B	α°
TRM 15	250	260	552	0,09	80	0-45
TRM 40	495	430	790		203	
TRM 80	557	470	1080	0,18	303	
TRM 120	557	470	1500			
TRM 200	635	622	1080			
TRM 275		792				
TRM 300	622	1500				

The overall dimensions specified above are not binding on the manufacturer. TUMAC reserves the right to modify them without notice.

elevator hoppers

- With wearproof belts
- With non toxic belt for food and pharmaceutical products

Building materials

- Painted steel
- Stainless steel

Drive :

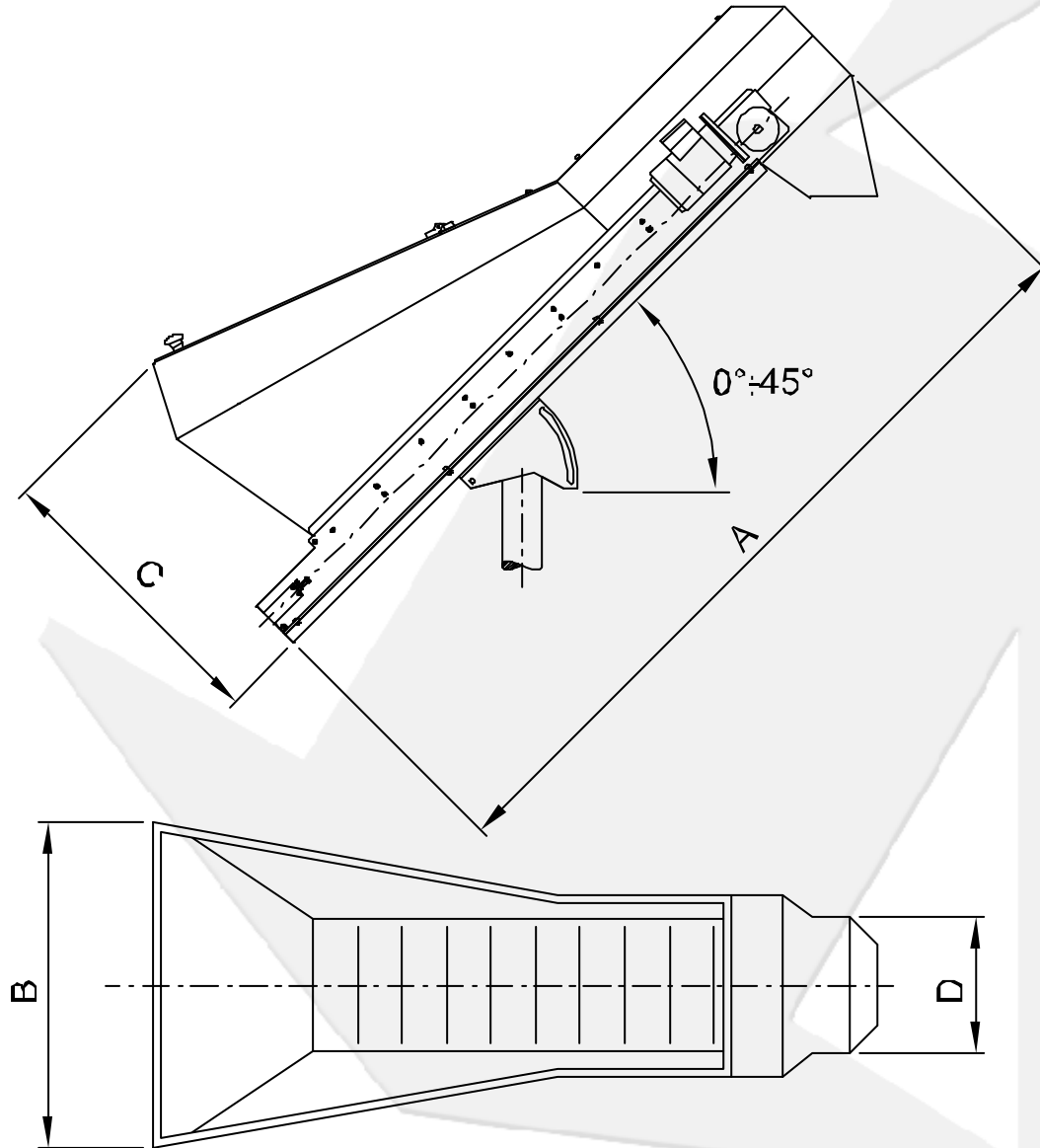
- Direct-coupling motor reduction gear.

Power supply :

230-380 V three-phase - 50-60 Hz.

Other voltage and/or frequency value available on request.

h = according to the automatic distributors to be fed.



standard elevator hopper					
Type	capacity LT	A	B	C	D
TE.15.120	120	1790	580	670	150
TE.20.140	140		630		200
TE.30.180	180		730	300	
TE.20.210	210		800	820	200
TE.30.250	250		900	820	200
					300

power Kw 0,18

lengthened elevator hopper					
Type	capacity LT	A	B	C	D
TE.1.15.120	120	2350	580	670	150
TE.1.20.140	140		630		200
TE.1.30.180	180		730	300	
TE.1.20.210	210		800	820	200
TE.1.30.250	250		900	300	
TE.1.30.320	320		1000	970	300

power Kw 0,18

The overall dimensions specified above are not binding on the manufacturer. TUMAC reserves the right to modify them without notice.

- With steel chain for metal parts
- With plastic chain for pills, caps & light materials in general (non-toxic on request).
- Belt-type for feeding bottling machines, packing food containers, etc... (non-toxic on request).

General characteristics common to all type:

Transfer height : 1.000 - 4.000 mm.

Belt width : 100 - 500 mm.

Tank capacity : 50 - 250 litres.

Gravity hopper:

The gravity hopper may be replaced with a vibration or motor-driven auxiliary loader to meet specific customer requirements. Part orientation may take place on linear feeders or on conveyor belts, where non-oriented parts are picked and (if fragile) are oriented correctly or (if not fragile) are re-cycled into the hopper.

An overflow device stops the elevator in case of excess feed.

Building Materials:

Backed enamelled steel.

Drive:

- Direct-coupling motor reduction gear.
- Chain-transmission motor reduction gear
- Stepless speed change gear. (mechanical descrambler and torque limiter available on request)

All elevators are complete with control boxes, thermal protection cut-outs, power supply transformer for level feeler or equivalent. The circuit has been designed so as to interlock the belt motion to the machine being fed as well as to the level feeler.

Power supply: 230-380 V. three-phase 50-60 Hz.

Belt Elevator with vulcanised Paddle chain:

Structure: "light" type
Usage: mainly used as front-delivery loader. Its structure is suitable for light parts.
Belt width: 300 mm. max.

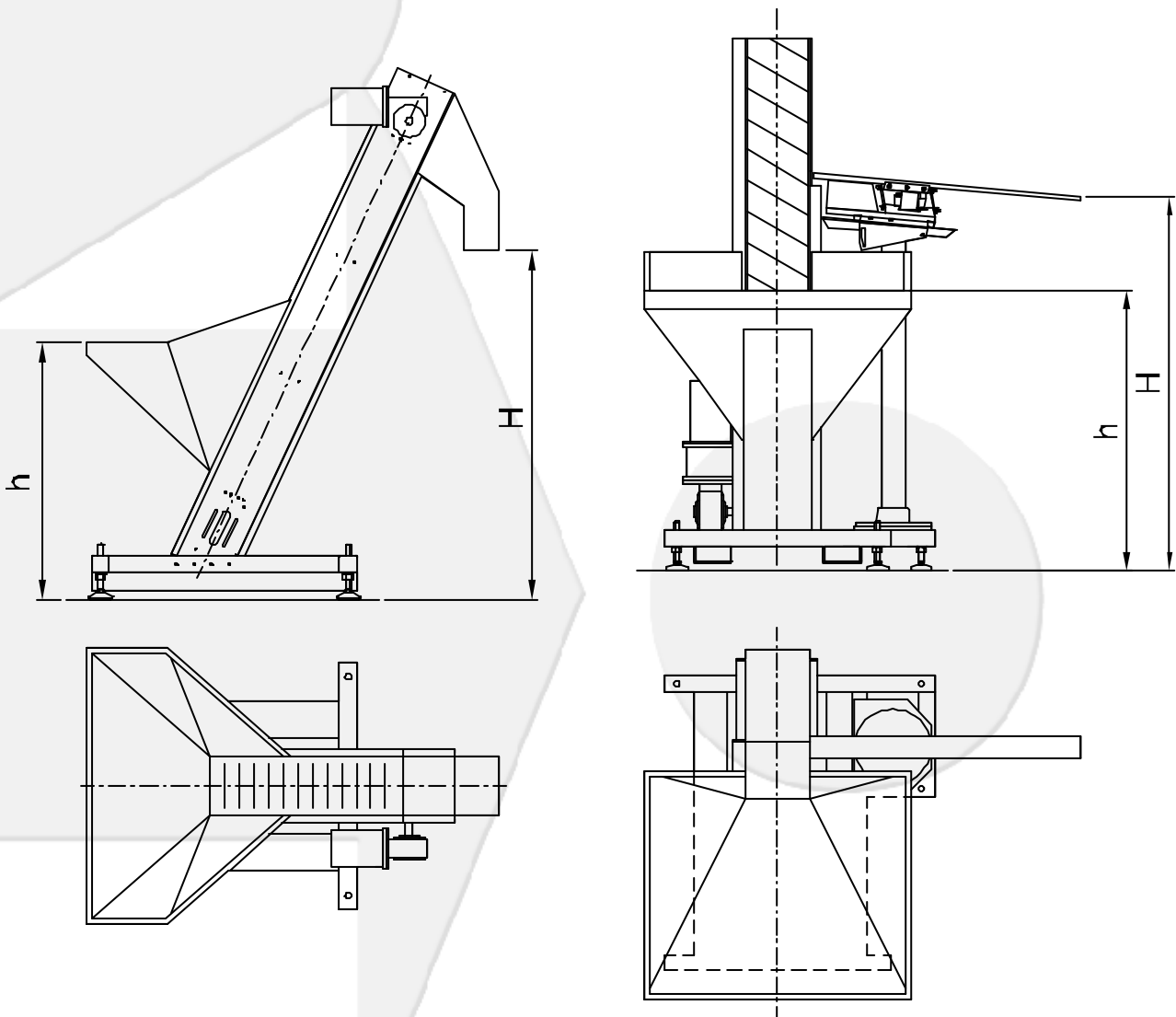
Plastic Chain:

Structure: "light" type
Usage: mainly used as an orienting device, with delivery on the left or right side, equipped with inclined screwed paddle chains. Its structure is suitable for medium-light parts.
Belt with: 500 mm. max.

Steel Chain:

Structure: "light" type
Usage: mainly used as a front-delivery loader or as an orienting device, with delivery on the left or right side. Its structure is suitable for medium-heavy metal parts.
Paddle chain width: 190 mm. max.

Structure: "heavy" type
Usage: mainly used as a front-delivery loader or as an orienting device, with delivery on the left or right side. Its structure is suitable for heavy metal parts.
Paddle chain width: 250 mm. max.



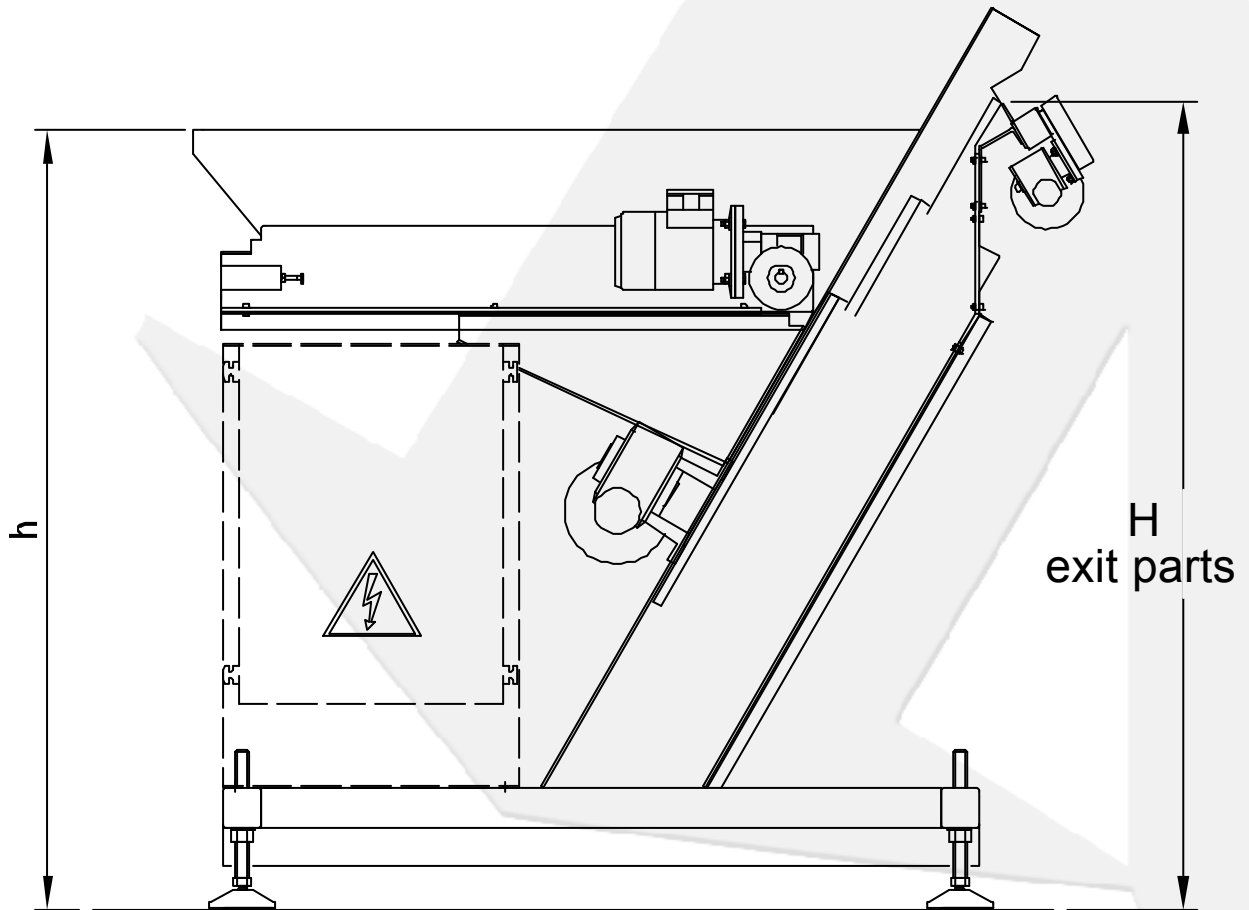
The overall dimensions specified above are not binding on the manufacturer. TUMAC reserves the right to modify them without notice.

Plate-Type-elevator

This model completes our conventional paddle chain elevator range, and distinguishes itself for its flexibility, noiselessness, and careful handling of the parts.

We can use different materials for its
We can use different materials for its characteristics of the parts to be fed.

The non-oriented parts are picked and oriented - if fragile - otherwise they are re-cycled into the hopper. In both cases re-cycled into the hopper. In both cases in case of excess feed.



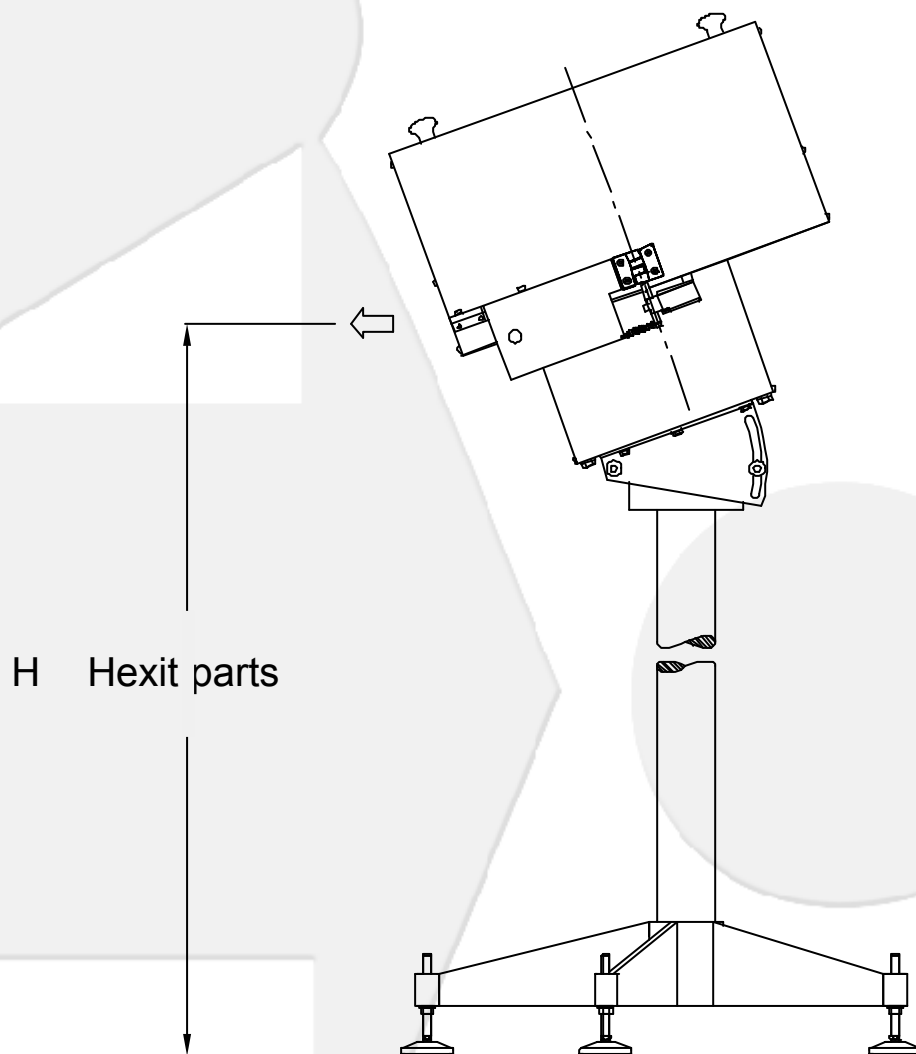
The overall dimensions specified above are not binding on the manufacturer. TUMAC reserves the right to modify them without notice.

Mechanical rotary feeder

An ideal application for the mechanical rotary feeder is as an oriented parts conveyor to the working machines or assembly systems which require very high feeding rates.

It is normally served by an auxiliary loader to benefit from a constant load in addition to a considerable range. It sends the oriented parts to the working machine with the help of the conveyor belt which is equipped with level feeder sensors. So it forms a fully self-contained "oriented convoiement" system.

- Building materials
- Painted steel
 - Stainless steel



The overall dimensions specified above are not binding on the manufacturer. TUMAC reserves the right to modify them without notice.

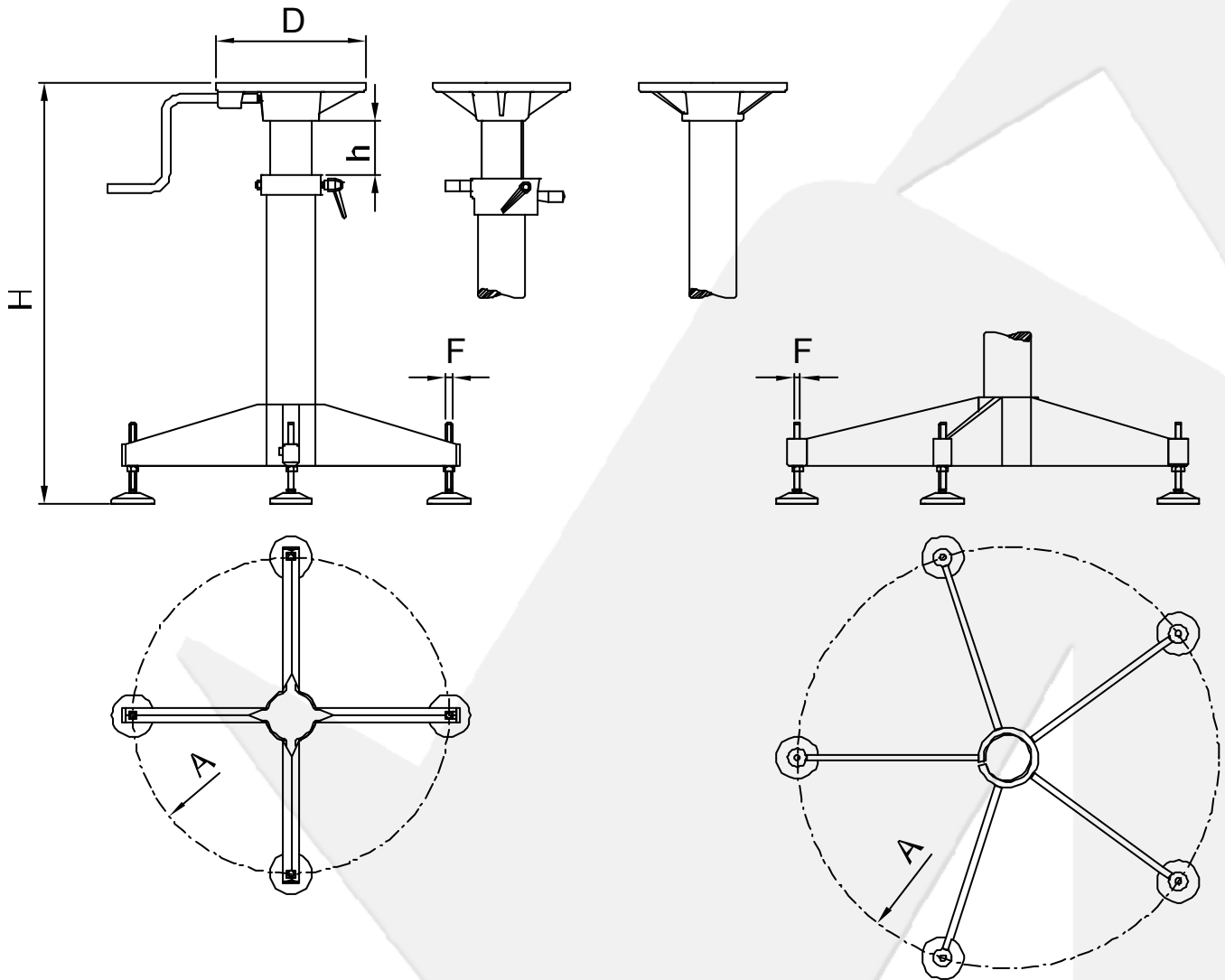
Column support

Building materials
 - Painted steel
 - Stainless steel

With crank

With screw

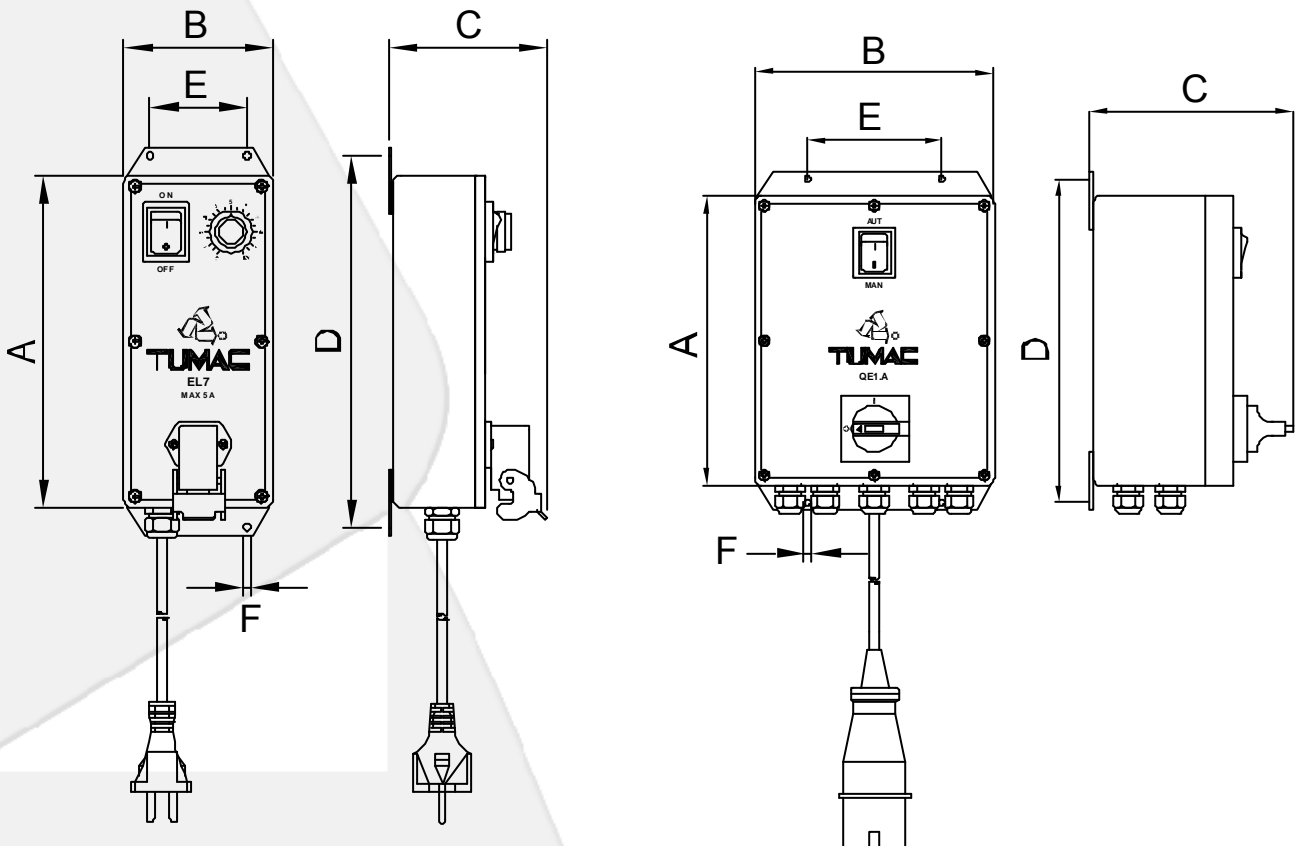
Fixe



	4 spock.	5 spock.
A	600	800
D	according with the base	
F	M 12	
H	from 500 to 1.200 mm.	
h	from ± 50 to ± 100	

The overall dimensions specified above are not binding on the manufacturer. TUMAC reserves the right to modify them without notice.

Control and Adjustment Boxes



Type	A	B	C	D	E	F	Characteristics	Power supply
EL7	205	90	100/130*	230	60	4,5	Stabilised	230 V - 50/60 Hz. (one-phase)
EL 7 - SE			130				Stabilised + mini-maxi sensor control	
EL 7 - AC							Stabilised + vibration sensor	
EL 7 - SE/AC							Stabilised + accelerometer + mini-maxi sensor control	

* In case of assembling on the feeder, the height is 130 mm.
 Degree of protection IP 54
 Remote control with contact or with signal 12-24 Vdc
 Other voltage and frequency values also available on request.

Type	A	B	C	D	E	F	Characteristics	Power supply
QE.1.A	205	170	130	230	95	4,5	Level feeler control	380 V - 50 Hz. (Three-phase)
							Electric motor control	
							Luminous alarm control by lack of parts set	

The overall dimensions specified above are not binding on the manufacturer. TUMAC reserves the right to modify them without notice.

Auxiliary loader TRV

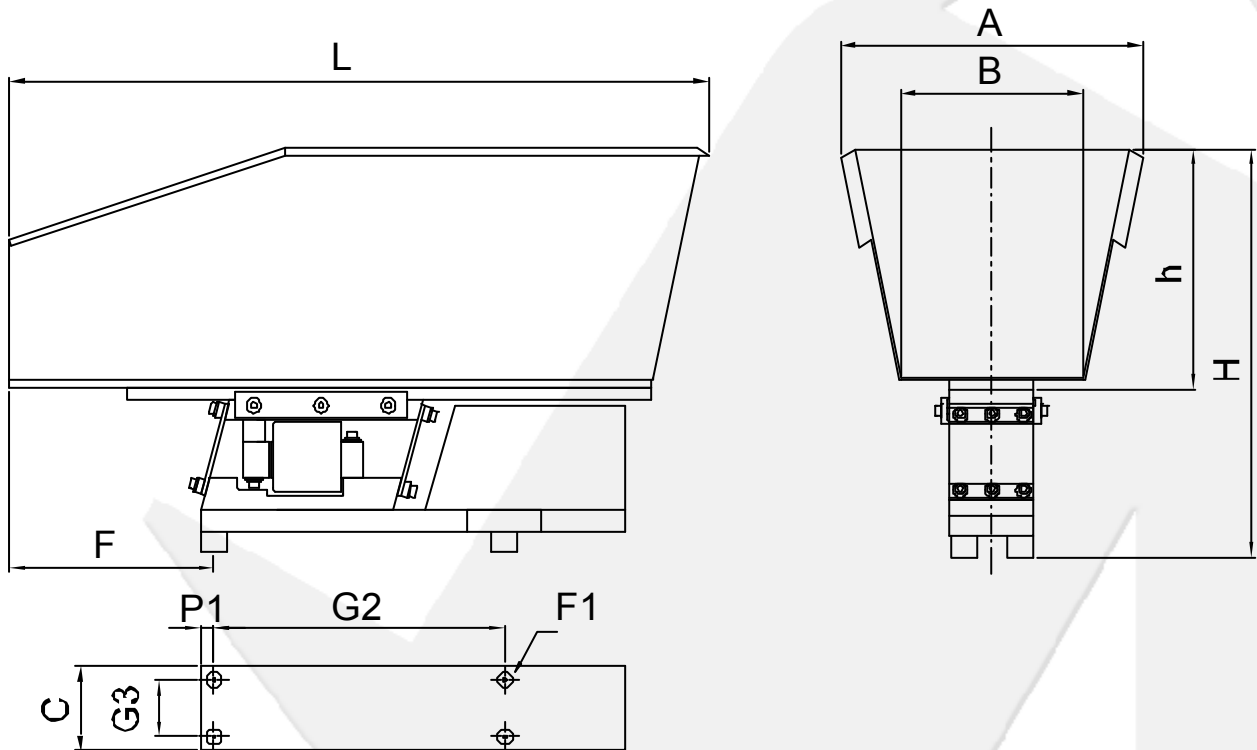
Complete with level feelers.

Power supply: 230 V - 50 Hz. (Other voltage and/or frequency value available on request).

Building materials:

- Steel F E P11 paint
- Stainless steel 304 □□□□

Degree of protection I P 54.



Type	capacity	C	A	B	F	L	H	h	G2	G3	P1	External control	Weight Kg	A max.	
TRV 5	5 dm ³	70	220	103	200/250	324	253	130	210,5	55	22,5	M4	10,5	0,2	
TRV 20	20 dm ³	80	280	100		791	331	176	277	54	13	M8		EL 7	34,2
TRV 40	40 dm ³		330	200		760	417	262							37,2
TRV 150	150 dm ³	450	725		290	952,5	650	359	520	370	42,5		220		
TRV 250	250 dm ³		770	250		960	840	350				225			

